



AC EM CONDITIONERS

CONDITIONING

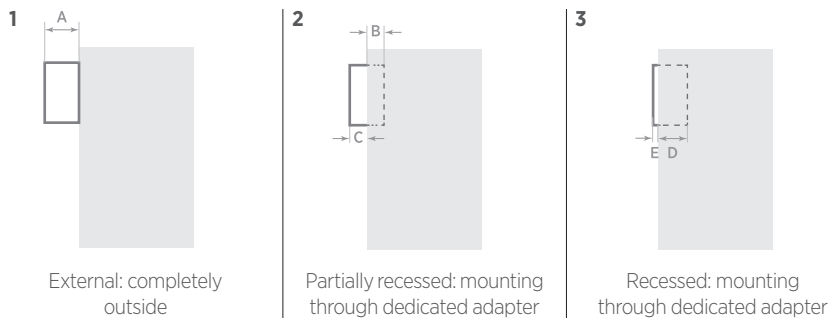
- External, wall mount air conditioners;
- Thermal management independent from the external temperature;
- Meet the requirement to keep separate the environment inside control cabinet from the external environment;
- Hermetic type compressor, copper pipes/aluminium fins exchangers;
- R134a refrigerant charge;
- Easy maintenance;
- IP54 side cabinet protection degree;
- Internal and external fans with ball bearing motor;
- Painted steel cabinet grey RAL 7035;
- Easy installation;
- Suitable when a lower temperature inside cabinet and higher IP protection degree (IP54) is required;
- Standard digital electronic thermostat;
- Provided with sealing gasket, eyebolts for lifting, flexible pipe for condensation waste;
- Ambient temperature: $0 \div 55^{\circ}\text{C}$;
- Cabinet temperature: $20 \div 50^{\circ}\text{C}$.

TECHNICAL DATA

Model	Code	Voltage (V)	Frequency (Hz)	Total cooling capacity (W)		Power (W)	Nom. Curr. (A)	Start current (A)	Ventilator flow rate inside (m ³ /h)	IP Grade side cabinet	Noisiness dB(A) _{3m}	Weight (Kg)
				L35L35 - DIN 3168/EN814	L35L50 - DIN 3168/EN814							
AC EM 040	0088000	230	50/60	400	290	270	1,5	6	180	IP54	58	26
AC EM 065	0088010	230	50/60	640	470	305	1,65	7	280	IP54	60	25
AC EM 085	0088020	230	50/60	850	640	410	2,2	8,5	280	IP54	65	26
AC EM 110	0088030	230	50/60	1080	830	520	3,1	10	570	IP54	62	40
AC EM 150	0088050	230	50/60	1500	1150	740	4,2	19,7	570	IP54	62	40
AC EM 200	0088040	230	50/60	2000	1560	1090	4,9	21,8	860	IP54	60	43

Three phase Models, with total cooling capacity L35L35 DIN3168/EN814 from 2300 - 4000 - 5000 - 10000 W, available on request.

INSTALLATIONS



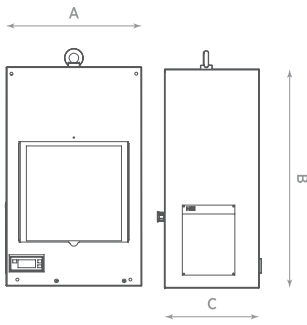
Model AC EM	A	B	C	D	E
040	216	100	116	190	26
065/085	220	110	110	180	40
110/150/200	249	100	151	225	26

ACCESSORIES

Description	Model	Code	Suitable for products
Adapter for wall air conditioner recessing	ARACEMS	0088101	AC EM 040
Adapter for wall air conditioner recessing	ARACEMM	0088102	AC EM 065 - 085
Adapter for wall air conditioner recessing	ARACEML	0088103	AC EM 110 - 150 - 200
Adapter for wall air conditioner partially recessing	APRACEMS	0088104	AC EM 040
Adapter for wall air conditioner partially recessing	APRACEMM	0088105	AC EM 065 - 085
Adapter for wall air conditioner partially recessing	APRACEML	0088106	AC EM 110 - 150 - 200
Filter holder with poliuretano filter for wall air conditioner	FHACEMS	0088107	AC EM 040 - 065 - 085
Filter holder with poliuretano filter for wall air conditioner	FHACEML	0088108	AC EM 110 - 150 - 200
Dust poliuretano filter for ambient air intake grille	FPACEMS	0088109	AC EM 040 - 065 - 085
Dust poliuretano filter for ambient air intake grille	FPACEML	0088111	AC EM 110 - 150 - 200
Filter oil resistant for ambient air intake grille	FOACEMS	0088112	AC EM 040 - 065 - 085
Filter oil resistant for ambient air intake grille	FOACEML	0088113	AC EM 110 - 150 - 200

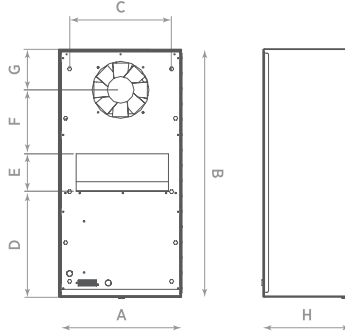
DIMENSIONS

AC EM 040



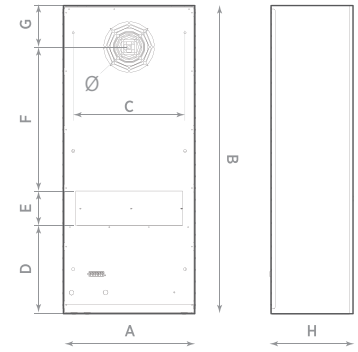
Model AC EM	A	B	C
040	310	500	216

AC EM 065/085



Model AC EM	A	B	C	D	E	F	G	H
065/085	313	630	260	269,5	95	162,5	103	222

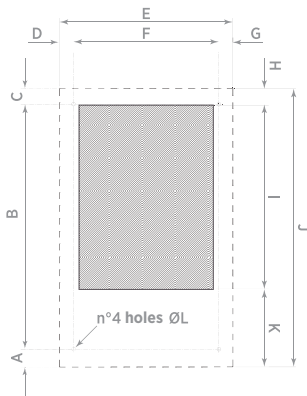
AC EM 110/150/200



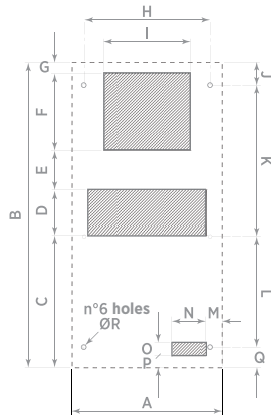
Model AC EM	A	B	C	D	E	F	G	H	Ø
110/150/200	403	940	340	267,2	105	438,5	128	250	155

DRILLING TEMPLATE

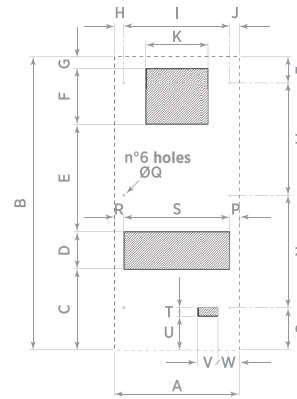
AC EM 040



AC EM 065/085



AC EM 110/150/200



Model AC EM	A	B	C	D	E	F	G	H	I	J	K	L	M	N	O	P	Q	R	S	T	U	V	W
AC EM 040	32	440	28	25	310	260	25	30	330	500	140	7	-	-	-	-	-	-	-	-	-	-	-
AC EM 065/085	310	630	272,5	95	81	160	21,5	260	180	47,5	312	228	34	70	28	24,5	42,5	8	-	-	-	-	-
AC EM 110/150/200	400	940	260	120	342,5	180	37,5	30	340	30	200	84,5	360	360	135,5	30	7	30	340	28	107	65	68

COOLING CAPACITY CURVES

